

MODEL
EO1

MODEL
EO 3/4

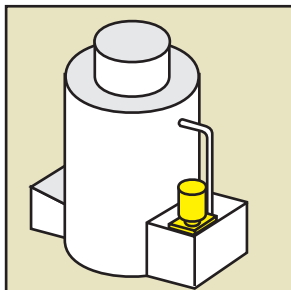
Efficient and dependable performance for:

**ACIDS / CAUSTICS / CLEANERS
CHEMICALS / PCB / PLATING
WATER / WASTE WATER**

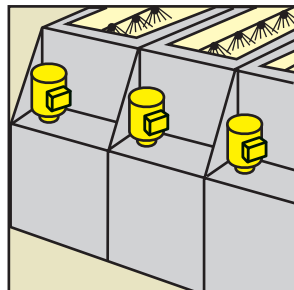
- **Flows to 92 U.S. GPM or 68 FT. TDH @ 60 Hz**
(288 LPM or 14.4m @ 50 Hz)
- **Non-metallic solution contact**
Polypropylene, CPVC or 100% PVDF
Viton® or EPDM elastomers
(See a chemical resistance chart)
- **Runs Dry** — no bearings, bushings, spindles or liners to replace
- **Centrifugal** — quiet, vibration-free
- **In- or out-of-tank installation**
- **Will replace most OEM pumps**
- **Shaft vapor seals protects motor bearings and atmosphere**
- **Chemical duty motor (1/3 - 2HP)**

The Series 'EO' Pump benefits from proven design features gained through over 30 years of experience in developing chemically resistant vertical pumps. All models feature a cantilevered, sleeved stainless steel shaft which eliminates bearing or bushing resulting in a chemical duty pump which can run dry indefinitely, providing years of trouble free service.

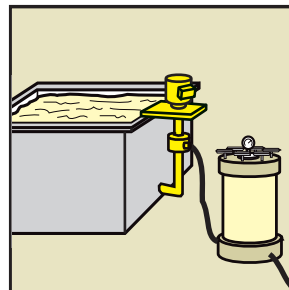
A vapor seal between the rotating shaft and the support column protects the motor. The compound impeller prevents liquid from rising in the column, even at maximum TDH, while the semi-enclosed bottom impeller provides efficient flow performance at low horsepower.



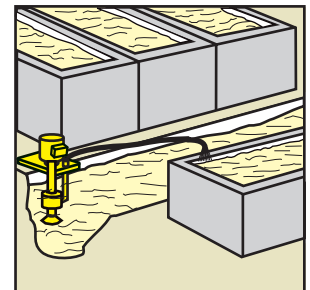
FUME SCRUBBING



PCB WET PROCESSING



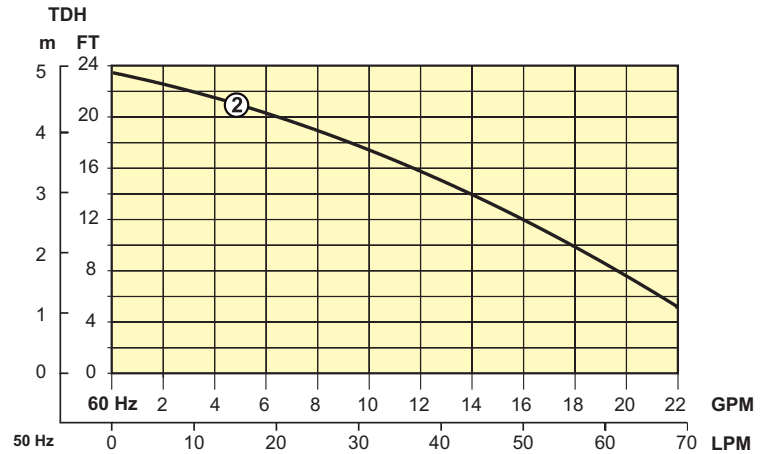
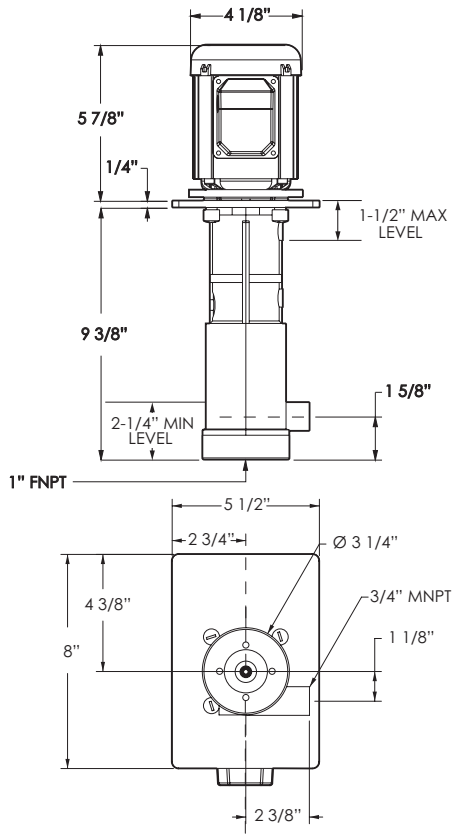
OUT-OF-TANK PUMPING
and FILTRATION



SUMP DRAINING and
WASTE TREATMENT

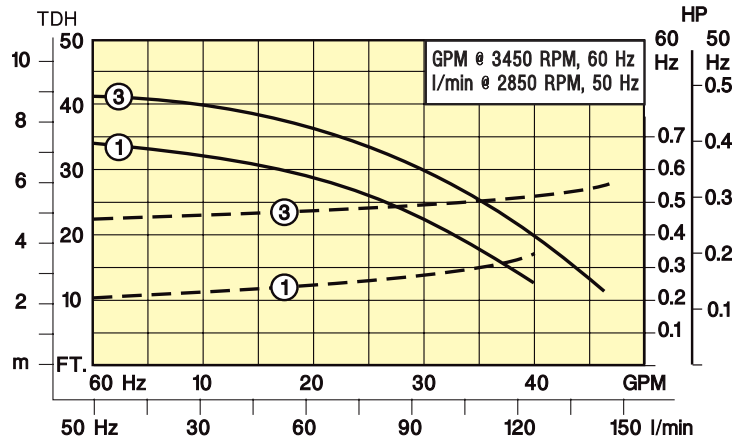
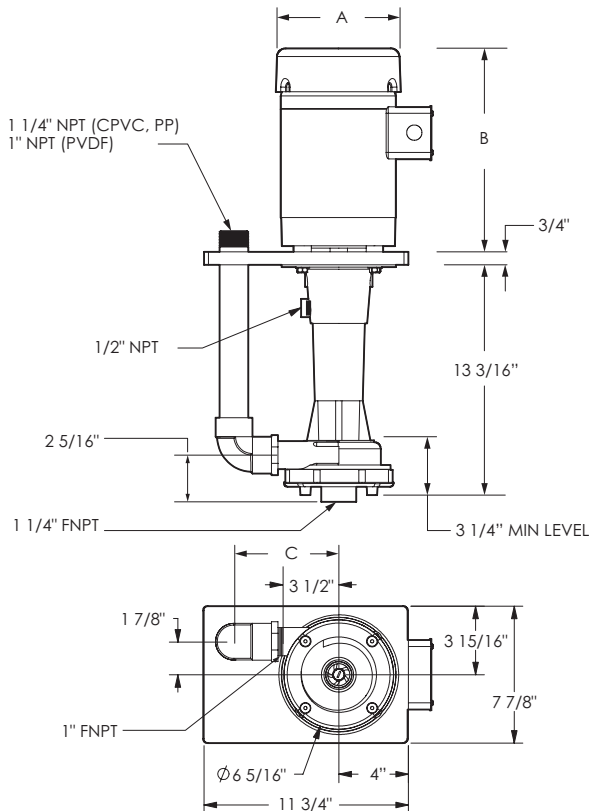


MODEL EO^{3/4}



FLOW —————

MODEL EO1

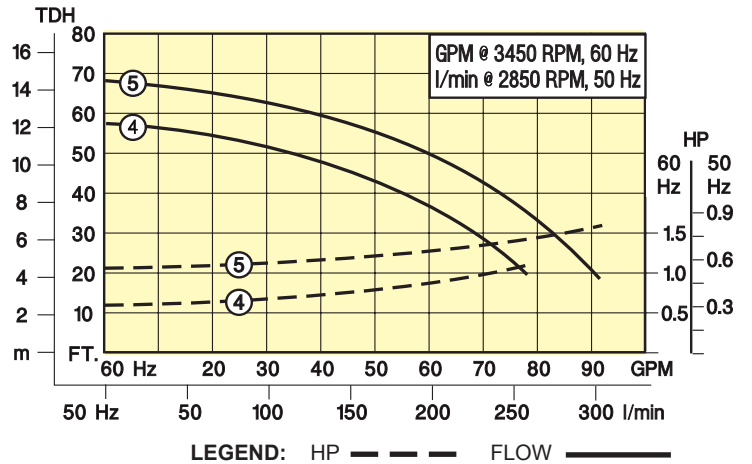
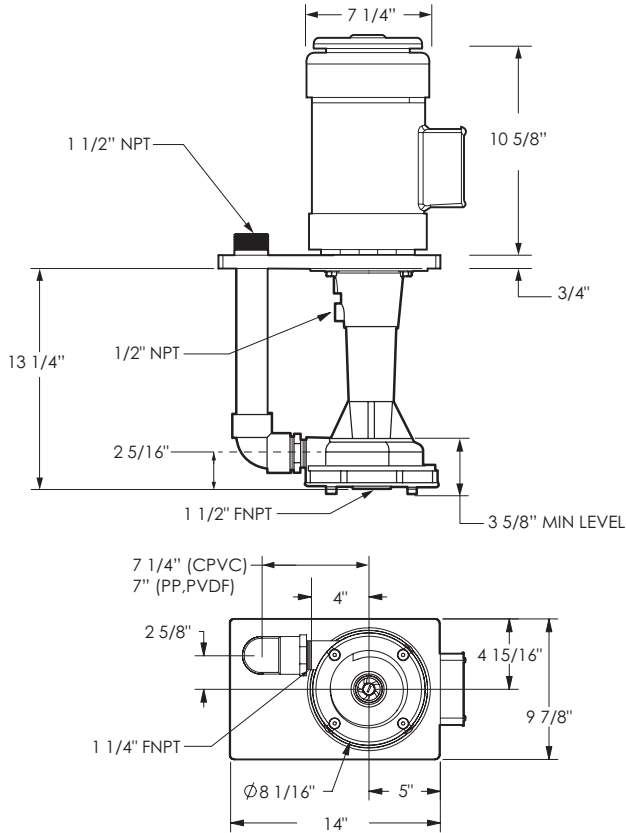


LEGEND: HP - - - - FLOW —————

PUMP MODEL	HP	A	B	MATERIAL	C
EO1	.33	5-7/8	8-1/2	CPVC	6
	.75	7-1/8	9-5/8	PP	6-3/8
				PVDF	5-3/8



MODEL EO1¼



TO ORDER, use Price Code Number

TABLE I

For standard CPVC, PP and PVDF pump-motor combination, select model from Table I. For other pump-motor combinations, select from components in TABLE II. Model EO 3/4 with EPDM includes optional Viton O-ring.

Select flow curve and material. Use Price Code No. to order.

FLOW CURVE NO.	MAX. FLOW ¹	POLYPROPYLENE / EPDM		CPVC / EPDM		PVDF / VITON	
		MODEL	PRICE CODE NO	MODEL	PRICE CODE NO	MODEL	PRICE CODE NO
2	17	EO¼PPL2-C1/8	39-0112B	EO¼CL2-C1/8	39-0212B	EO¼KV2-C1/8	39-0322B
1	40	EO1PPL1-C.3	39-1111 A	EO1CL1-C.3	39-1211 A	EO1KV1-C.3	39-1321 A
3	47	EO1PPL3-C.75	39-1113 C	EO1CL3-C.75	39-1213 C	EO1KV3-C.75	39-1323 C
4	78	EO1¼PPL4-D1.0	39-2114 J	EO1¼CL4-D1.0	39-2214 J	EO1¼KV4-D1.0	39-2324 J
5	92	EO1¼PPL5-D1.5	39-2115 K	EO1¼CL5-D1.5	39-2215 K	EO1¼KV5-D1.5	39-2325 K

¹ Maximum flow (U.S. GPM) @ 60 Hz with 1.0 specific gravity liquid at ambient temperature.



SERIES 'EO' | MOLDED VERTICAL PUMPS

2900 MacArthur Blvd. Northbrook, IL. USA 60062 www.serfilco.com (800) 323 - 5431

TABLE II

To select pump with EPDM elastomer or for use with elevated specific gravity at required GPM, TDH and material: Select performance point on curve, determine required HP by moving vertically from GPM to corresponding number dotted line. Read the required HP at right ordinate and multiply by S.G. This is the HP required. Construct Model and Price Code No. by adding series, size, material, elastomer, impeller and motor from charts below. Use Price Code No. to order. Model E0 3/4 with EPDM includes optional Viton O-ring.

SERIES		SIZE			MATERIAL			ELASTOMER		
MODEL	PRICE CODE NO	MODEL	PRICE CODE NO	DESCRIPTION	MODEL	PRICE CODE NO	DESCRIPTION	MODEL	PRICE CODE NO	DESCRIPTION
EO	39-	¾	0	1 x ¾	PP	1	Polypropylene	L	1	EPDM
		1	1	1¼ x 1	C	2	CPVC	V	2	Viton
		1¼	2	1½ x 1¼	K	3	PVDF			

IMPELLER / FLOW CURVE		
MODEL	PRICE CODE NO.	DESCRIPTION
2	2	EO¾
1	1	2¾" for EO1
3	3	3" for EO1
4	4	3¾" for EO1¼
5	5	4" for EO1¼

TEFC MOTOR - 1φ ²		
MODEL	PRICE CODE NO.	HORSEPOWER
C1/8	B	.12
C.3	A	.33
C.75	C	.75
C1.0	D	1.0
C1.5	E	1.5

TEFC MOTOR - 3φ ³		
MODEL	PRICE CODE NO.	HORSEPOWER
D.3	F	.33
D.75	H	.75
D1.0	J	1.0
D1.5	K	1.5
D2.0	L	2.0

² 1φ motors are:
115-208/230 @ 60 Hz, 3450 RPM
115-220/240 @ 50 Hz, 2850 RPM

³ 3φ motors are:
208-230/460 @ 60 Hz, 3450 RPM
190-380/415 @ 50 Hz, 2850 RPM

OPTIONAL EQUIPMENT

DESCRIPTION	ADD SUFFIX TO MODEL	ADD TO PRICE CODE NO.
Through hole in standard mounting plate (N/A EO¾)	MPH	X
Titanium option - shaft and fasteners (N/A EO¾)	T	T
Drip cover - installed (N/A .12 & .33 HP)	DC	Z
PVDF impeller on CPVC pump	-K	KY

DESCRIPTION	EO¾		EO1		EO1¼	
	SIZE	PRICE CODE NO.	SIZE	PRICE CODE NO.	SIZE	PRICE CODE NO.
DISCHARGE PIPE ASSEMBLY						
Polypropylene	¾"	39-1006 PP	1¼"	39-1000 PP	1½"	39-2000 PP
CPVC	¾"	39-1006 C	1¼"	39-1000 C	1½"	39-2000 C
PVDF	¾"	39-1006 K	1"	39-1000 K	1½"	39-2000 K
18" SUCTION EXTENSION						
Polypropylene	1"	45-0274	1¼"	39-1004 PP	1½"	39-2004 PP
CPVC	1"	45-0208	1¼"	39-1004 C	1½"	39-2004 C
PVDF	1"	45-0230	1½"	39-1004 K	1½"	39-2004 K
SUCTION STRAINER						
Polyethylene / PP	—	39-1007 PP	—	39-1002 PP	—	39-2002 PP
Polyethylene / CPVC	—	39-1007 C	—	39-1002 C	—	39-2002 C
ECTFE / PVDF	—	39-1007 K	—	39-1003 K	—	39-2003 K