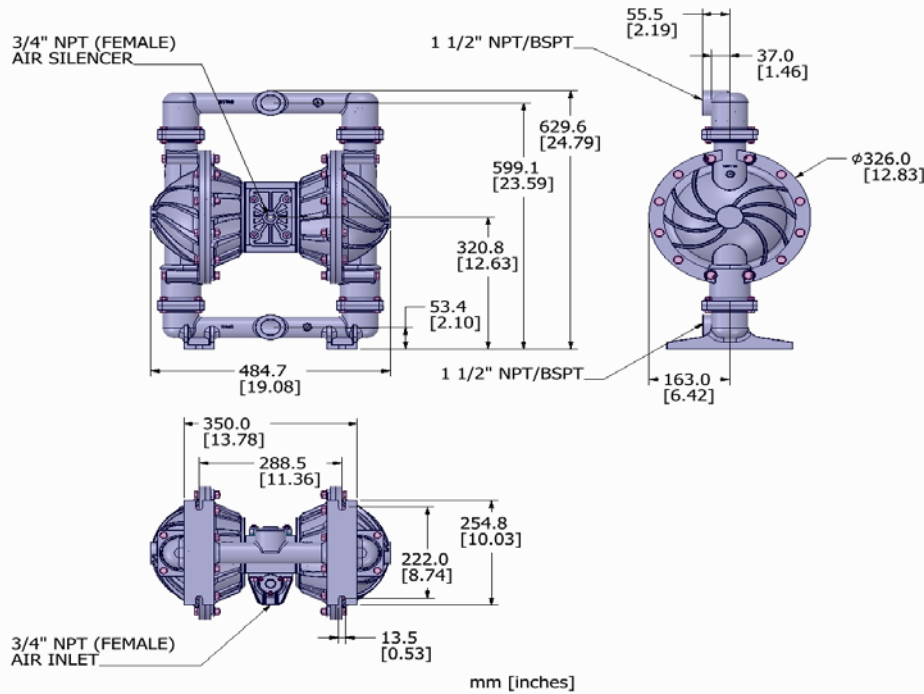




1.5" Metallic Bolted Air Operated Double Diaphragm Pump

Email: info@m-pump.net

Dimensional Data



Specification

Max Flow rate
520 LPM

Max Solid Sizes
6 mm

Fluid Connections
1.5" NPT/BSP (F)

Air inlet
3/4" NPT(F)

Max. Lift Dry Limits
6.1 m

Max. working Pressure
125 psi

Temperature Limits
Determined by Elastomers

Performance

