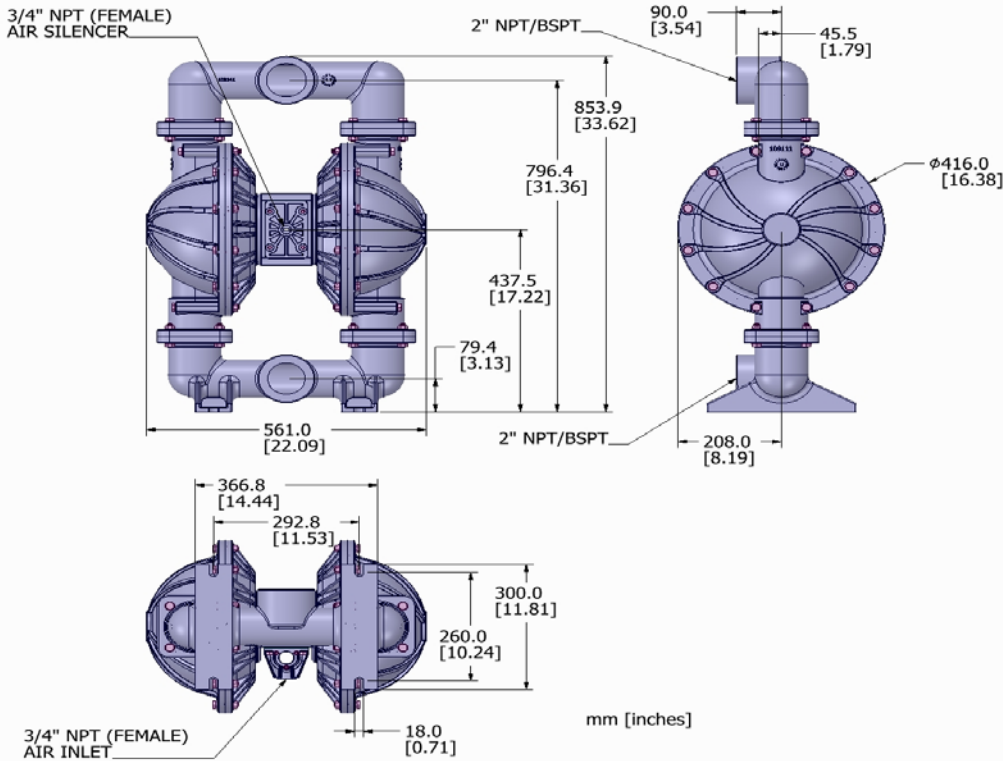




# 3" Metallic Bolted Air Operated Double Diaphragm Pump

Email: [info@m-pump.net](mailto:info@m-pump.net)

## Dimensional Data



## Specification

**Max Flow rate**  
950 LPM

**Max Solid Sizes**  
8 mm

**Fluid Connections**  
3" NPT/BSP (F)

**Air inlet**  
3/4" NPT(F)

**Max. Lift Dry Limits**  
6.1 m

**Max. working Pressure**  
125 psi

**Temperature Limits**  
Determined by Elastomers

## Performance

