



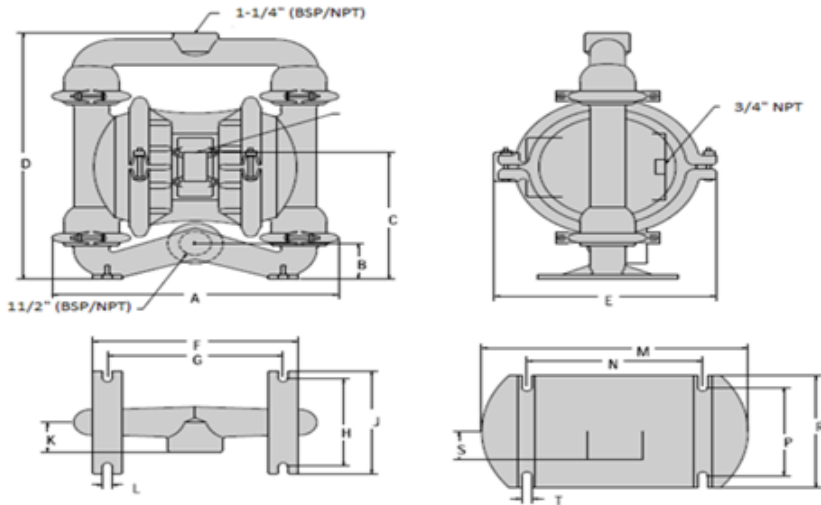
# M-Pump Metallic Clamp Band Series

Air Operated Double Diaphragm Pump

Email: [info@m-pump.net](mailto:info@m-pump.net)

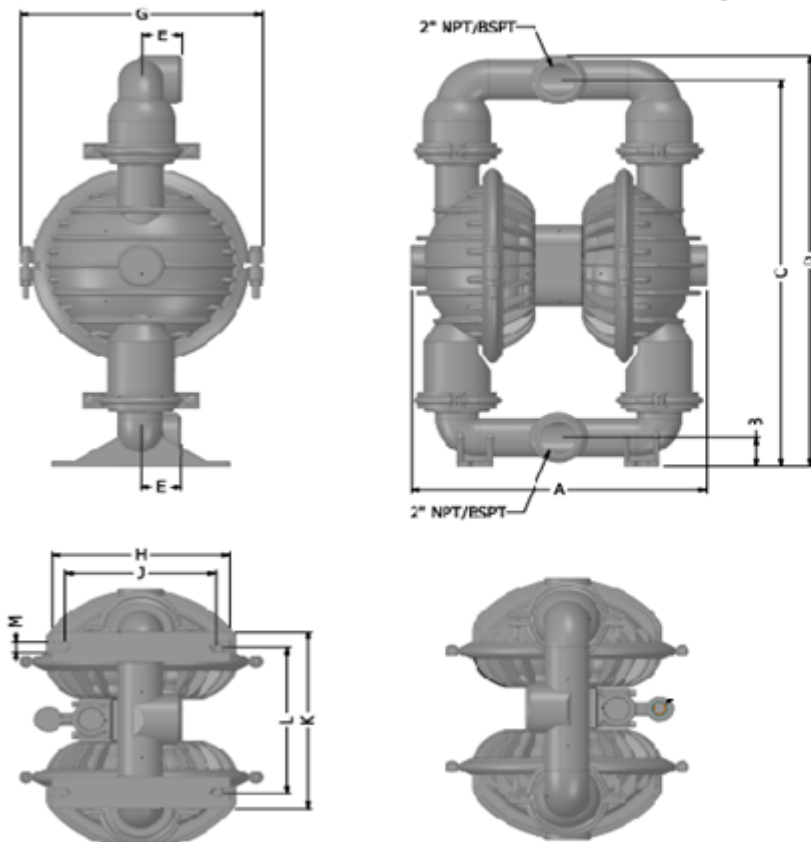
## Dimensional Data

### Metallic 1.5" Clamp Band



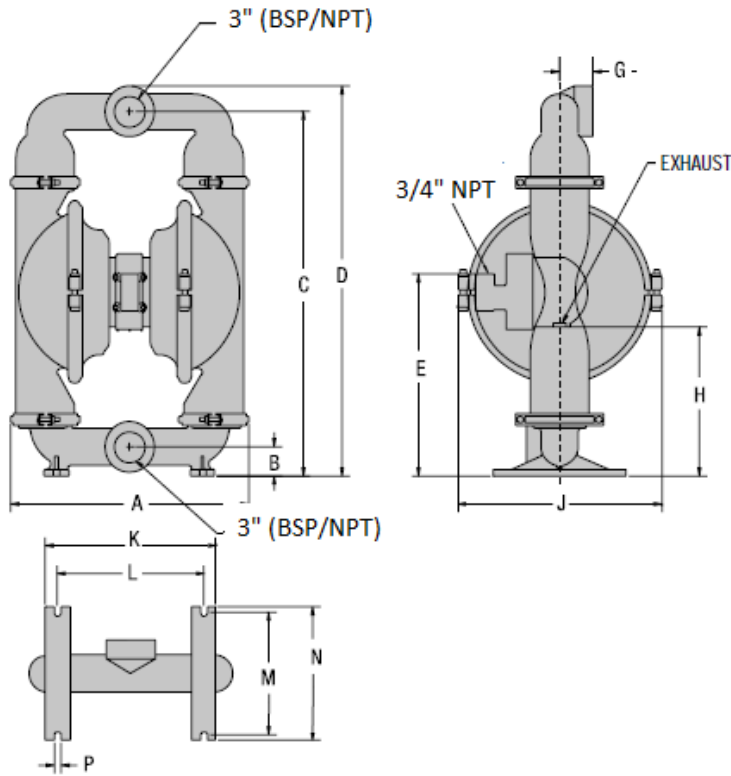
ITEM	METRIC (mm)	STANDARD (inch)
A	391	15.4
B	63	2.5
C	219	8.6
D	442	17.4
E	285	11.2
F	262	10.3
G	224	8.8
H	152	6.0
J	178	7.0
K	67	2.6
L	11	0.4

### Metallic 2" Clamp band



ITEM	METRIC (mm)	STANDARD (INCH)
A	422	16.6
B	46	1.8
C	625.5	24.6
D	665.4	26.2
E	58.5	2.3
F	58.5	2.3
G	346	13.6
H	121.5	11.3
J	237	9.3
K	254	10
L	216	8.5
M	16	0.6

## Metallic 3" Clamp Band



ITEM	METRIC (mm)	STANDARD (inch)
A	505	19.9
B	58	2.3
C	762	30.0
D	823	32.4
E	419	16.5
G	69	2.7
H	312	12.3
J	427	16.8
K	361	14.2
L	305	12.0
M	259	10.2
N	282	11.1
P	15	0.6
R	71	2.8
S	66	2.6
T	305	12.0
U	43	1.7
V	305	12.0
W	478	18.8
X	Ø15	Ø0.6

## Performance Data

Pump Size	Max. Flow rate	Max. Operating Pressure	Max. Size Solids	Air inlet connection	Suction Connection	Discharge connection
MB 1.5	280 litre /min	8 bar	4 mm	3/4" NPT	1.5" (BSP/NPT)	1-1/4" (BSP/NPT)
MB 2	600 litre /min	8 bar	6 mm	3/4" NPT	2" (BSP/NPT)	2" (BSP/NPT)
MB 3	860 litre /min	8 bar	10 mm	3/4" NPT	3" (BSP/NPT)	3" (BSP/NPT)

