

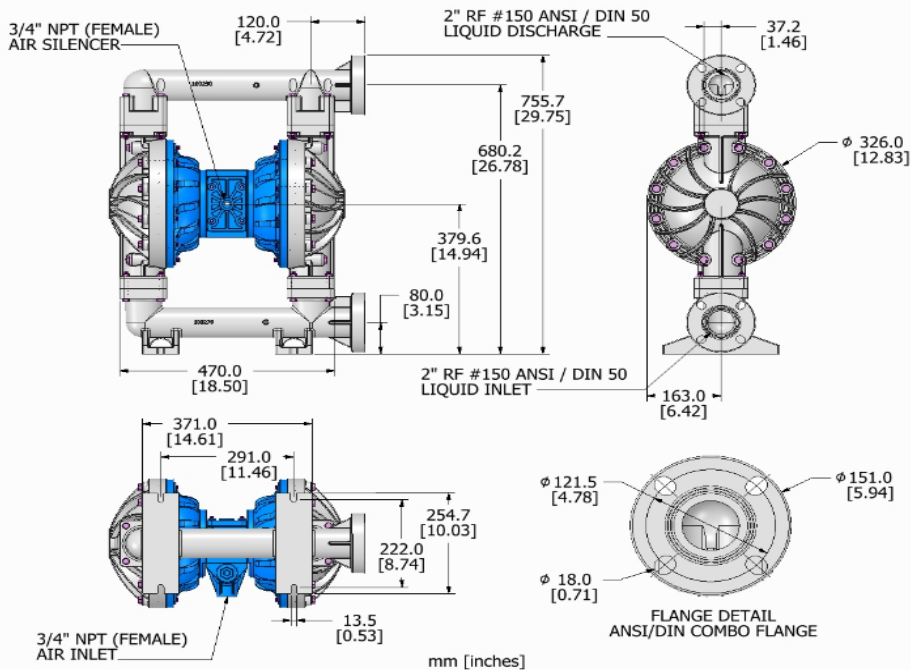


2" Non-Metallic Bolted

Air Operated Double Diaphragm Pump

Email: info@m-pump.net

Dimensional Data



Specification

- Max Flow rate**
650 LPM
- Max Solid Sizes**
6 mm
- Fluid Connections**
2" 150# ANSI/DIN Flange
- Air inlet**
3/4" NPT(F)
- Max. Lift Dry Limits**
6.1 m
- Max. working Pressure**
125 psi
- Temperature Limits**
Determined by Elastomers

Performance

Jul. 24, 15

